

金属化聚酯薄膜叠层式电容器 Metallized polyester film capacitor (Stacked)

特点 / Features

- ◆ MTF(A) 采用的是无氧铜线做为引线，所有的MTF(A)引线，是加工成形的。您在选购时，请注意是MTFF还是MTFV。

◆ 从0.01 μ F到1.0 μ F都是标准的5.0mm引线尺寸，可以是直引线和加工成形引线使用在自动插件上。

◆ 50V, 105℃、可以不用降低额定电压使用。
- ★ We have MTF(A) type where oxygen-free copper wires are used as lead wires and all lead wires of MTF(A)type are formed .When ordering, please tell us which type you require among MTFF abd MTFV.

★ Standardized 5.0mm lead spacing from 0.01 to 1.0 μ f and available both in lead formed type and straight lead type for auto insertion.

★ For 50V ,special types are avaiable upon requeset for use up to 105℃.

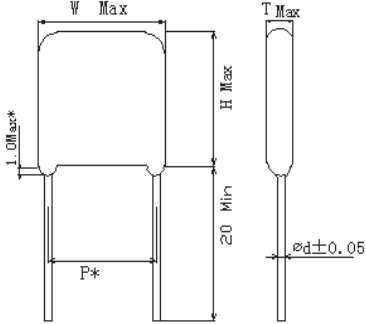
规格 / Specifications

使用温度范围	Temp. Range	- 40~+85℃(+105℃) ※
额定电压	Rated Voltage	50V, 63V, 100V, 250V.dc
容量范围	Capacitance Range	50V.dc 0.010~3.3 μ F(E-12), 63V.dc 0.010~3.3 μ F(E-12) 100V.dc 0.010~1.0 μ F(E-12), 250V.dc 0.010~0.22 μ F(E-12)
容量偏差	Capacitance Tolerance	±5% (J)
损耗角正切	Dissipation Factor	0.01以下/or less(at 1kHz)
绝缘电阻	Insulation Resistance	C \leq 0.33 μ F 3,000M Ω 以上/or more C>0.33 μ F 1,000 Ω F以上/or more
高温负荷	Endurance	85℃ 施加WV \times 125% 1000Hr Δ C/C \pm 5% 以内/with in tan δ 0.01以下/or less IR C \leq 0.33 μ F 1,000M Ω 以上/or more C>0.33 μ F 300 Ω F以上/or more
耐湿负荷	Damp heat	40℃ 90~95%RH 施加 WV 500Hr Δ C/C \pm 7% 以内/with in tan δ 0.011以下/or less IR C \leq 0.33 μ F 100M Ω 以上/or more C>0.33 μ F 30 Ω F以上/or more

※1 () 里的温度表示降低电压时的温度使用范围。

※1 Marked temperature shows operatable range when voltage is derated.

引线尺寸 / Lead dimension(mm)

形状 Style	直引线型 Straight lead type		引线弯曲型 Forming lead type
			
Cap 范围 Cap range	MMT (A) 50V. DC	103~335	103~335
	MMT 63V. DC	103~335	103~335
	MMT 100V. DC	103~105	103~105
	MMT 250V. DC	103~224	103~224
	MTF (A) 50V. DC		103~335

编带仕样的引线尺寸 (F)，请参照第27~29页的编带尺寸表。

For a pitch space(F) of the taping specification, refer to "Taping dimensions "on page 27~29.

外形尺寸 / Dimension(mm)

Cap CODE	Cap (μF)	MMT (A) 50V. DC						标准包装数				
								Number of pieces for packing unit				
		W	H	T	P	F	Φd	编带 Taping Ammo	直脚品 Long Bag Box		引线弯曲型 Formed Bag Box	
103	0.010	7.3	5.0	3.2	5.0	5.0	0.5	2,000	200	4,000	200	6,000
123	0.012	"	"	"	"	"	"	"	"	"	"	"
153	0.015	"	"	"	"	"	"	"	"	"	"	"
183	0.018	"	"	"	"	"	"	"	"	"	"	"
223	0.022	"	"	"	"	"	"	"	"	"	"	"
273	0.027	"	"	"	"	"	"	"	"	"	"	"
333	0.033	"	"	"	"	"	"	"	"	"	"	"
393	0.039	"	"	"	"	"	"	"	"	"	"	"
473	0.047	"	"	"	"	"	"	"	"	"	"	"
563	0.056	"	"	"	"	"	"	"	"	"	"	"
683	0.068	"	"	"	"	"	"	"	"	"	"	"
823	0.082	"	"	"	"	"	"	"	"	"	"	"
104	0.10	"	"	"	"	"	"	"	"	"	"	"
124	0.12	"	"	"	"	"	"	"	"	"	"	"
154	0.15	"	5.5	3.5	"	"	"	"	"	"	"	"
184	0.18	"	"	4.0	"	"	"	"	"	"	"	"
224	0.22	"	"	4.3	"	"	"	"	"	3,000	"	4,000
274	0.27	"	6.5	"	"	"	"	1,000	"	"	"	"
334	0.33	"	"	4.8	"	"	"	"	"	"	"	"
394	0.39	"	7.0	5.0	"	"	"	"	"	2,000	"	3,000
474	0.47	"	8.0	5.5	"	"	"	"	"	"	"	"
564	0.56	"	"	5.8	"	"	"	"	"	"	"	"
684	0.68	"	8.5	6.5	"	"	"	"	"	"	"	"
824	0.82	"	9.5	"	"	"	"	"	"	"	"	2,000
105	1.0	"	"	7.5	"	"	"	"	"	"	"	"
125	1.2	10.0	"	5.5	7.5	"	"	"	100	1,000	100	1,500
155	1.5	"	"	6.5	"	"	"	"	"	"	"	"
185	1.8	"	11.0	"	"	"	"	"	"	"	"	"
225	2.2	"	"	7.0	"	"	"	"	"	"	"	"
275	2.7	"	13.5	"	"	"	"	"	"	"	"	1,000
335	3.3	"	"	8.0	"	"	"	"	"	"	"	"

外形尺寸 / Dimension(mm)

Cap CODE	Cap (μF)	MTF (A) 50V. DC						标准包装数		
								Number of pieces for packing unit		
		W	H	T	P	F	Φd	编带 Taping	引线弯曲型 Formed	
							Ammo	Bag	Box	
103	0.010	7.3	5.0	3.2	5.0	5.0	0.6	2,000	200	6,000
123	0.012	"	"	"	"	"	"	"	"	"
153	0.015	"	"	"	"	"	"	"	"	"
183	0.018	"	"	"	"	"	"	"	"	"
223	0.022	"	"	"	"	"	"	"	"	"
273	0.027	"	"	"	"	"	"	"	"	"
333	0.033	"	"	"	"	"	"	"	"	"
393	0.039	"	"	"	"	"	"	"	"	"
473	0.047	"	"	"	"	"	"	"	"	"
563	0.056	"	"	"	"	"	"	"	"	"
683	0.068	"	"	"	"	"	"	"	"	"
823	0.082	"	"	"	"	"	"	"	"	"
104	0.10	"	"	"	"	"	"	"	"	"
124	0.12	"	"	"	"	"	"	"	"	"
154	0.15	"	5.5	3.5	"	"	"	"	"	"
184	0.18	"	"	4.0	"	"	"	"	"	"
224	0.22	"	"	4.3	"	"	"	"	"	4,000
274	0.27	"	6.5	"	"	"	"	1,000	"	"
334	0.33	"	"	4.8	"	"	"	"	"	"
394	0.39	"	7.0	5.0	"	"	"	"	"	3,000
474	0.47	"	8.0	5.5	"	"	"	"	"	"
564	0.56	"	"	5.8	"	"	"	"	"	"
684	0.68	"	8.5	6.5	"	"	"	"	"	"
824	0.82	"	9.5	"	"	"	"	"	"	2,000
105	1.0	"	"	7.5	"	"	"	"	"	"
125	1.2	10.0	"	5.5	7.5	"	"	"	100	1,500
155	1.5	"	"	6.5	"	"	"	"	"	"
185	1.8	"	11.0	"	"	"	"	"	"	"
225	2.2	"	"	7.0	"	"	"	"	"	"
275	2.7	"	13.5	"	"	"	"	"	"	1,000
335	3.3	"	"	8.0	"	"	"	"	"	"

外形尺寸 / Dimension(mm)

Cap CODE	Cap (μF)	MMT 63V. DC						标准包装数 Number of pieces for packing unit				
								编带 Taping	直脚品 Long		引线弯曲型 Formed	
		W	H	T	P	F	Φd	Ammo	Bag	Box	Bag	Box
103	0.010	8.0	5.0	3.2	5.0	5.0	0.5	2,000	200	4,000	200	6,000
123	0.012	"	"	"	"	"	"	"	"	"	"	"
153	0.015	"	"	"	"	"	"	"	"	"	"	"
183	0.018	"	"	"	"	"	"	"	"	"	"	"
223	0.022	"	"	"	"	"	"	"	"	"	"	"
273	0.027	"	"	"	"	"	"	"	"	"	"	"
333	0.033	"	"	"	"	"	"	"	"	"	"	"
393	0.039	"	"	"	"	"	"	"	"	"	"	"
473	0.047	"	"	"	"	"	"	"	"	"	"	"
563	0.056	"	"	"	"	"	"	"	"	"	"	"
683	0.068	"	"	"	"	"	"	"	"	"	"	"
823	0.082	"	"	"	"	"	"	"	"	"	"	"
104	0.10	"	"	"	"	"	"	"	"	"	"	"
124	0.12	"	"	"	"	"	"	"	"	"	"	"
154	0.15	"	5.5	3.5	"	"	"	"	"	"	"	"
184	0.18	"	"	"	"	"	"	"	"	"	"	"
224	0.22	"	"	3.8	"	"	"	"	"	3,000	"	4,000
274	0.27	"	6.5	4.3	"	"	"	1,000	"	"	"	"
334	0.33	"	"	4.5	"	"	"	"	"	"	"	"
394	0.39	"	7.0	5.0	"	"	"	"	"	2,000	"	3,000
474	0.47	"	8.0	"	"	"	"	"	"	"	"	"
564	0.56	"	10.0	4.3	"	"	"	"	"	"	"	"
684	0.68	"	"	4.5	"	"	"	"	"	"	"	"
824	0.82	"	11.0	5.0	"	"	"	"	"	"	"	2,000
105	1.0	"	"	5.3	"	"	"	"	"	"	"	"
125	1.2	11.0	10.0	4.7	7.5	"	"	"	100	1,000	100	1,500
155	1.5	"	11.0	5.0	"	"	"	"	"	"	"	"
185	1.8	"	"	5.5	"	"	"	"	"	"	"	"
225	2.2	"	12.0	6.0	"	"	"	"	"	"	"	"
275	2.7	"	13.5	6.5	"	"	"	"	"	"	"	1,000
335	3.3	"	"	7.0	"	"	"	"	"	"	"	"

外形尺寸 / Dimension(mm)

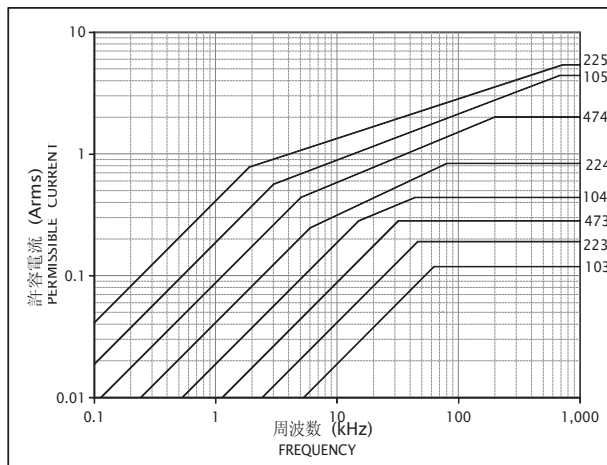
Cap CODE	Cap (μ F)	MMT 100V. DC						标准包装数				
								Number of pieces for packing unit				
		W	H	T	P	F	Φ d	编带 Taping Ammo	直脚品 Long Bag Box		引线弯曲线 Formed Bag Box	
103	0.010	7.3	5.0	3.2	5.0	5.0	0.5	2,000	200	4,000	200	6,000
123	0.012	"	"	"	"	"	"	"	"	"	"	"
153	0.015	"	"	"	"	"	"	"	"	"	"	"
183	0.018	"	"	"	"	"	"	"	"	"	"	"
223	0.022	"	"	"	"	"	"	"	"	"	"	"
273	0.027	"	"	"	"	"	"	"	"	"	"	"
333	0.033	"	"	"	"	"	"	"	"	"	"	"
393	0.039	"	"	"	"	"	"	"	"	"	"	"
473	0.047	"	"	"	"	"	"	"	"	"	"	"
563	0.056	"	"	"	"	"	"	"	"	"	"	"
683	0.068	"	"	"	"	"	"	"	"	"	"	"
823	0.082	"	"	"	"	"	"	"	"	"	"	"
104	0.10	"	"	"	"	"	"	"	"	"	"	"
124	0.12	"	5.5	"	"	"	"	"	"	"	"	"
154	0.15	"	5.0	4.0	"	"	"	"	"	"	"	"
184	0.18	"	"	4.3	"	"	"	"	"	"	"	"
224	0.22	"	"	4.7	"	"	"	1,000	"	3,000	"	4,000
274	0.27	"	6.0	"	"	"	"	"	"	"	"	"
334	0.33	"	"	5.3	"	"	"	"	"	"	"	"
394	0.39	"	6.5	"	"	"	"	"	"	2,000	"	3,000
474	0.47	"	7.5	"	"	"	"	"	"	"	"	"
564	0.56	"	"	5.6	"	"	"	"	"	"	"	"
684	0.68	"	8.5	"	"	"	"	"	"	"	"	"
824	0.82	"	"	6.5	"	"	"	"	"	"	"	2,000
105	1.0	"	10.0	"	"	"	"	"	"	1,000	"	1,000

外形尺寸 / Dimension(mm)

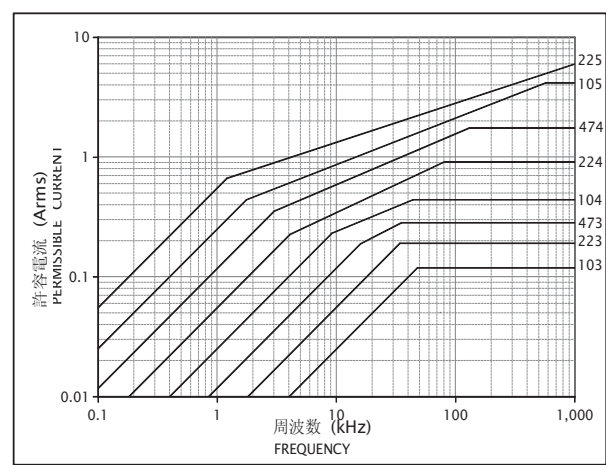
Cap CODE	Cap (μF)	MMT 250V. DC										
		标准包装数 Number of pieces for packing unit										
		W	H	T	P	F	Φd	编带 Taping Ammo	直脚品 Long Bag	引线弯曲型 Formed Box	引线弯曲型 Formed Bag	引线弯曲型 Formed Box
103	0.010	7.3	5.0	3.2	5.0	5.0	0.5	2,000	200	4,000	200	6,000
123	0.012	"	5.5	"	"	"	"	"	"	"	"	"
153	0.015	"	5.0	"	"	"	"	"	"	"	"	"
183	0.018	"	5.5	"	"	"	"	"	"	"	"	"
223	0.022	"	"	"	"	"	"	"	"	"	"	"
273	0.027	"	"	"	"	"	"	"	"	"	"	"
333	0.033	"	6.0	"	"	"	"	"	"	"	"	"
393	0.039	"	"	3.5	"	"	"	"	"	"	"	"
473	0.047	"	6.4	"	"	"	"	"	"	3,000	"	4,000
563	0.056	"	"	3.8	"	"	"	"	"	"	"	"
683	0.068	"	6.8	"	"	"	"	"	"	"	"	"
823	0.082	"	7.4	4.2	"	"	"	"	"	"	"	"
104	0.10	"	8.2	"	"	"	"	"	"	2,000	"	3,000
124	0.12	"	"	4.7	"	"	"	1,000	"	"	"	"
154	0.15	"	10.0	"	"	"	"	"	"	"	"	"
184	0.18	"	9.5	6.2	"	"	"	"	"	"	"	"
224	0.22	"	10.5	"	"	"	"	"	"	"	"	"

相对频率数允许的电流特性 / Characteristics of permissible current to frequency

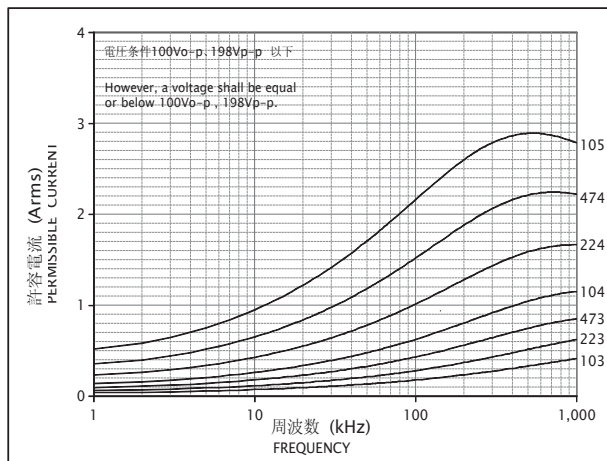
MMT (A) / MTF (A) 50V



MMT 63V



MMT 100V



MMT 250V

